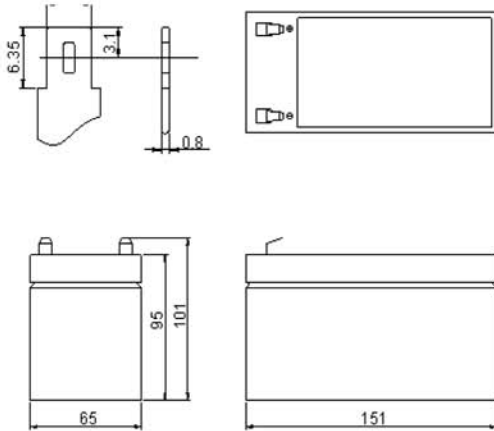
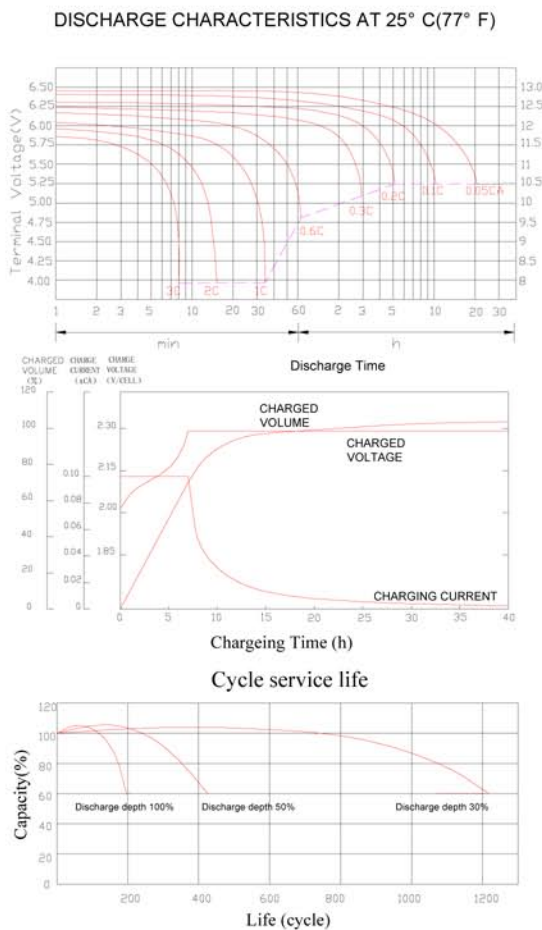


VS Series SLA Battery

Specifications

Nominal Voltage	12V	
Rated Capacity	7Ah	
Dimensions	Total Height	3.98 inches (101mm)
	Height	3.74 inches (95mm)
	Length	5.94 inches (151mm)
	Width	2.56 inches (65mm)
Approximate Weight	4.3 lbs. (1.95kg)	

Characteristic

Capacity 77°F(25°C)	20h rate (0.35A)	7Ah
	10h rate (0.65A)	5.85Ah
	5h rate (1.12A)	5.52Ah
	1h rate (4.76A)	3.90Ah
	15 min rate (13.2A)	2.93Ah
Internal Resistance	Full Charged Battery 77°F(25°C)	40m Ω
Capacity Affected by Temperature (20h rate)	104°F(40°C)	102%
	77°F(25°C)	100%
	32°F(0°C)	85%
	5°F(-15°C)	65%
Self-Discharge 68°F(20°C) (Capacity after)	3 month storage	90%
	6 month storage	80%
	12 month storage	60%
Max. Discharge Current 77°F(25°C)	97.5A(5s)	
Terminal	T1, T2	
Charge (Constant Voltage, 25°C)	Cycle	14.5~14.9V(-24mV/°C) max. current: 1.95 A
	Float	13.6~13.8V(-18mV/°C)


Constant Current Discharge Characteristics (A, 25°C)

F.V/TIME	5min	10min	15min	30min	60min	3h	5h	10h	20h
9.60V	25	16.7	13.01	7.8	4.4	1.67	1.10	0.58	0.33
10.2V	23.7	15.9	12.46	7.4	4.22	1.65	1.08	0.58	0.33
10.5V	22	14.7	11.8	7.1	4.01	1.62	1.06	0.56	0.32

Constant Wattage Discharge Characteristics (Watt, 25°C)

F.V/TIME	5min	10min	15min	30min	60min	3h	5h	10h	20h
9.60V	280	188	148	87.6	51	19.9	13.1	10.4	3.96
10.2V	267	176	141	84	49.2	19.6	12.9	10.3	3.96
10.5V	253	166	133	80.5	47	19.2	12.6	10.3	3.84