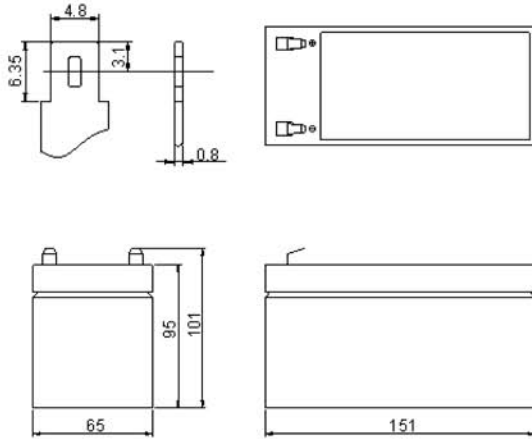


VS Series SLA Battery



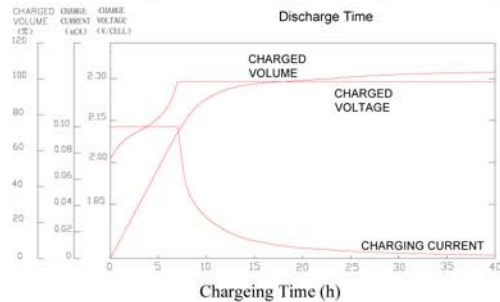
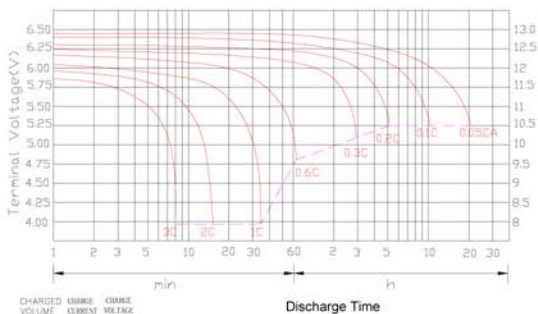
● **Specifications**

Nominal Voltage		12V
Rated Capacity		7.5Ah
Dimensions	Total Height	3.98 inches (101mm)
	Height	3.74 inches (95mm)
	Length	5.94 inches (151mm)
	Width	2.56 inches (65mm)
Approximate Weight		4.96 lbs. (2.25kg)

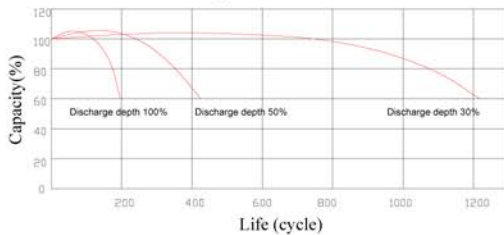
● **Characteristic**

Capacity 77°F(25°C)	20h rate	7.5Ah
	10h rate	6.9Ah
	5h rate	6.38Ah
	1h rate	4.50Ah
	15 min rate	3.38Ah
Internal Resistance	Full Charged Battery 77°F(25°C)	Approx. 24m Ω
Capacity Affected by Temperature (20h rate)	104°F(40°C)	102%
	77°F(25°C)	100%
	32°F(0°C)	85%
	5°F(-15°C)	65%
Self-Discharge 68°F(20°C) (Capacity after)	3 month storage	90%
	6 month storage	80%
	12 month storage	60%
Max. Discharge Current 77°F(25°C)	112.5A(5s)	
Terminal	T1, T2	
Charge (Constant Voltage, 25°C)	Cycle	14.5~14.9V(-24mV/°C) max. current: 2.25A
	Float	13.6~13.8V(-18mV/°C)

DISCHARGE CHARACTERISTICS AT 25° C(77° F)



Cycle service life



Constant Current Discharge Characteristics (A, 25°C)

F.V/TIME	5min	10min	15min	30min	60min	3h	5h	10h	20h
9.60V	30	19.0	15.3	8.6	4.88	1.90	1.29	0.72	0.38
10.2V	29	18.1	14.7	8.3	4.68	1.88	1.28	0.71	0.38
10.5V	28	17.1	14.0	7.9	4.45	1.84	1.25	0.69	0.38

Constant Wattage Discharge Characteristics (Watt, 25°C)

F.V/TIME	5min	10min	15min	30min	60min	3h	5h	10h	20h
9.60V	330	223	176	103	59	22.6	15.5	8.64	4.57
10.2V	305	210	168	99	57	22.3	15.2	8.52	4.53
10.5V	295	198	160	94	55	21.8	14.9	8.28	4.50