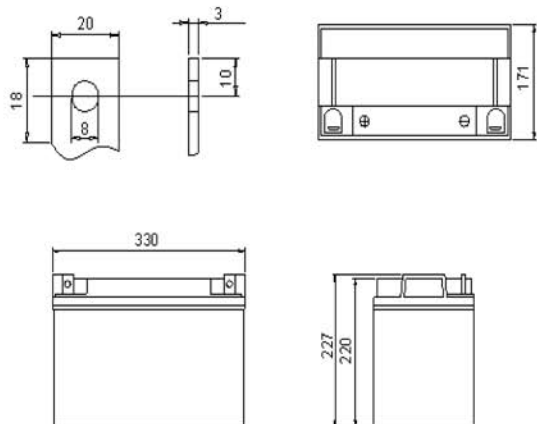


VM Series SLA Battery



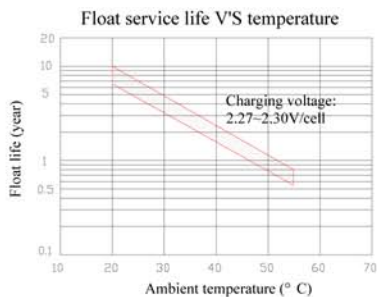
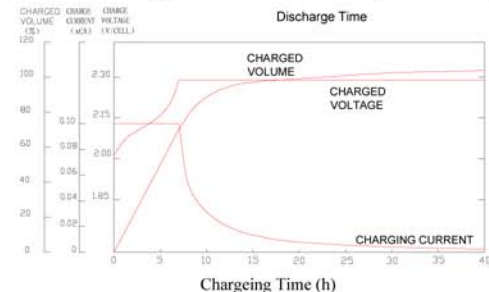
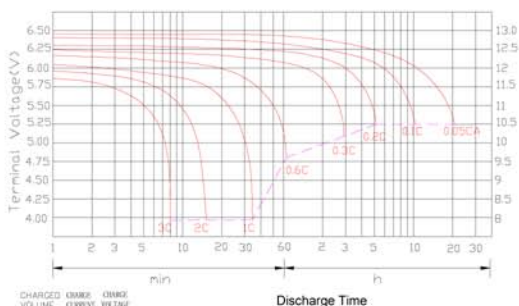
● Specifications

Nominal Voltage		12V
Rated Capacity		100Ah
Dimensions	Total Height	8.94 inches (227mm)
	Height	8.66 inches (220mm)
	Length	12.99 inches (330mm)
	Width	6.73 inches (171mm)
Approximate Weight		67.46 lbs. (30.6kg)

● Characteristic

Capacity 77°F(25°C)	20h rate	105Ah
	10h rate	100Ah
	5h rate	90Ah
	1h rate	60Ah
	15 min rate	42Ah
Internal Resistance	Full Charged Battery 77°F(25°C)	Approx. 5m Ω
Capacity Affected by Temperature (20h rate)	104°F(40°C)	102%
	77°F(25°C)	100%
	32°F(0°C)	85%
	5°F(-15°C)	65%
Self-Discharge 68°F(20°C) (Capacity after)	3 month storage	90%
	6 month storage	80%
	12 month storage	60%
Max. Discharge Current 77°F(25°C)	800A(5s)	
Terminal	T6/T12	
Charge (Constant Voltage, 25°C)	Cycle	14.4~14.7V(-24mV/°C) max. current: 30A
	Float	13.6~13.8V(-18mV/°C)

DISCHARGE CHARACTERISTICS AT 25° C(77° F)



Constant Current Discharge Characteristics (A, 25°C)

F.V/TIME	5min	10min	15min	30min	60min	3h	5h	10h	20h
9.60V	310	213	170	105	65.0	26.4	18.5	10.3	5.35
10.2V	295	203	163	101	62.4	26.0	18.2	10.2	5.35
10.5V	277	191	155	95.5	59.3	25.5	17.8	10.0	5.35

Constant Wattage Discharge Characteristics (Watt, 25°C)

F.V/TIME	5min	10min	15min	30min	60min	3h	5h	10h	20h
9.60V	3259	2305	1864	1160	741	310	219	123	64.2
10.2V	3096	2189	1789	1128	711	306	215	122	64.2
10.5V	2910	2058	1700	1072	676	300	210	119	63.6